

Walterscheid Toplink Configuration

WALTERSCHEID



Your contact details

Full name

Postcode

Location

Phone

Street / No.

Country

Email

Informations about your tractor

Manufacturer

Type

Performance data KW / PS

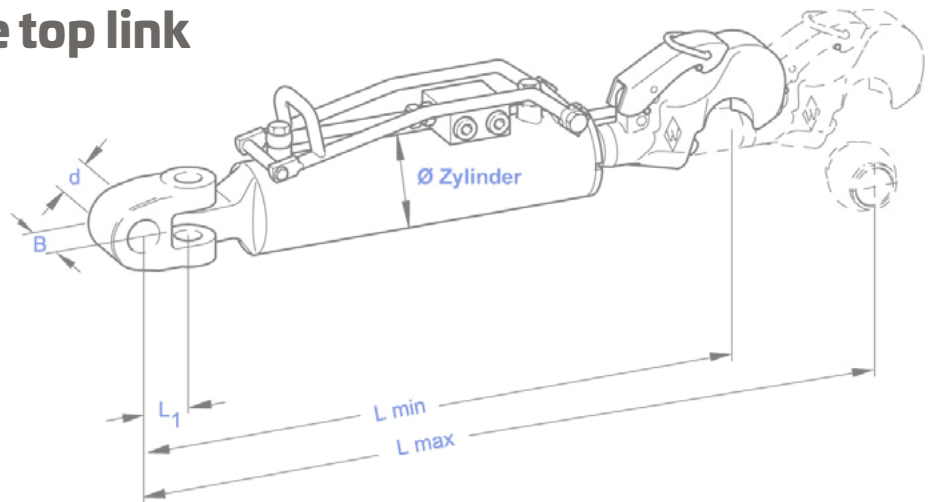
Informations about the device to be paired

Manufacturer

Type

Weight in kg

Informations about the top link



Cylinder Ø in mm *

Length min in mm

Length max in mm

* If a top link already exists, please indicate the cylinder diameter.

Cat. 3

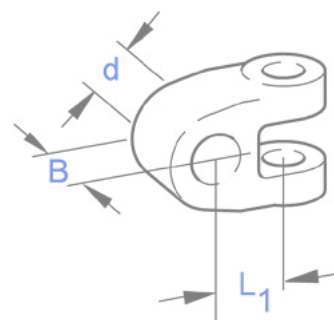
Cat. 4

Walterscheid Toplink Configuration

WALTERSCHEID



Informations on the required clevis



Width (B) = 50mm

Width (B) = 60mm

other width (B) = (Please enter)

Tractor-side pin diameter (d)

25,7 mm

28,2 mm

32,2 mm

35,2 mm

37,3 mm

40,5 mm

45,2 mm

other diameter (d) = (Please enter)

Hole spacing (L1)

63 mm

100 mm

110 mm

other hole spacing (L1) = (Please enter)

I have read the [General Terms and Conditions](#) as well as the Privacy Policy at www.walterscheid.com/privacy-policy and I agree that the GKN Walterscheid GmbH / Off-Highway Powertrain Services Germany GmbH is here for the purpose of selling one here contacted product.*

WALTERSCHEID
POWERTRAIN GROUP

Walterscheid GmbH

Hauptstraße 150
53797 Lohmar

Telefon: +49 22 46 12 - 0
hitches@walterscheid.com
www.walterscheid.com

More information about our top links:
www.walterscheid.com/hydraulic-top-link-with-shock-absorber/