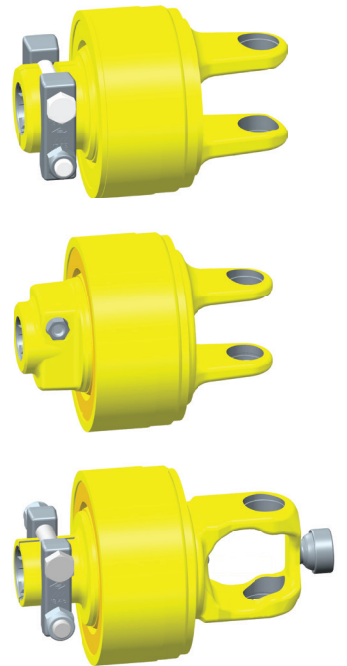
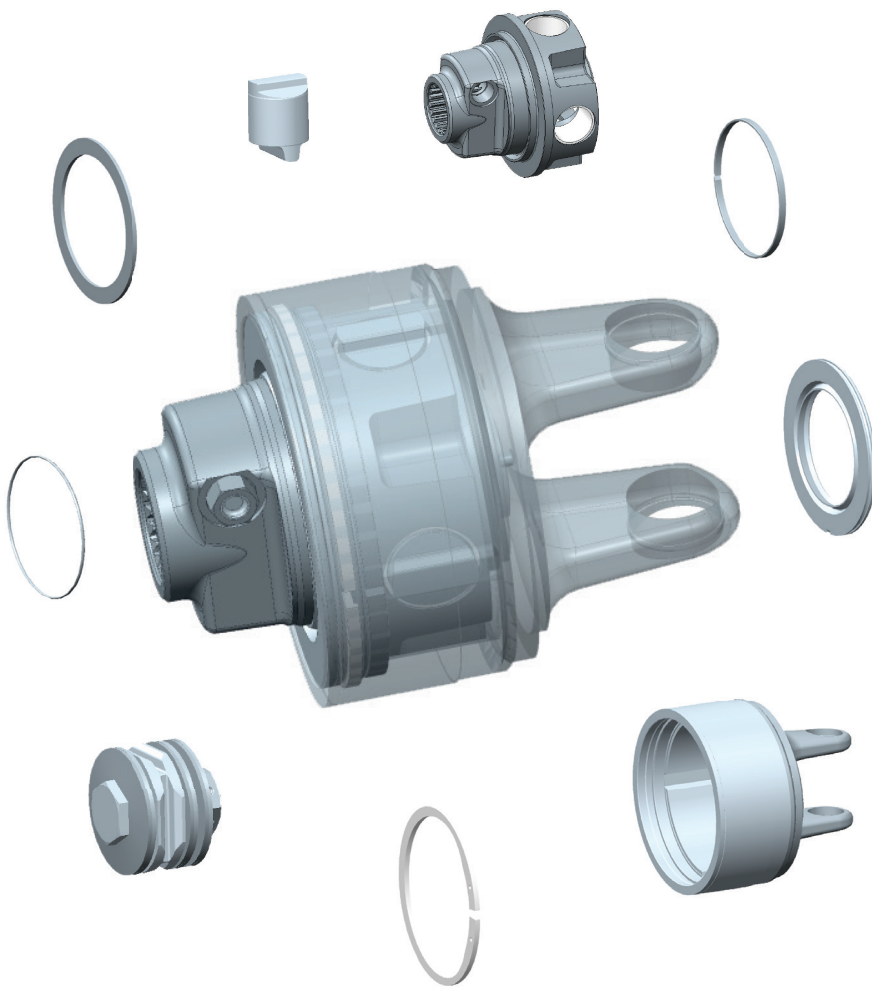


PRODUKT INFO

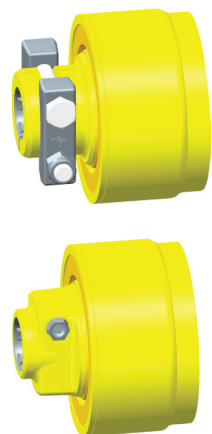
Nockenschaltkupplung K68 / EK68

Kupplungen und Einzelteile

K68/22
K68/24

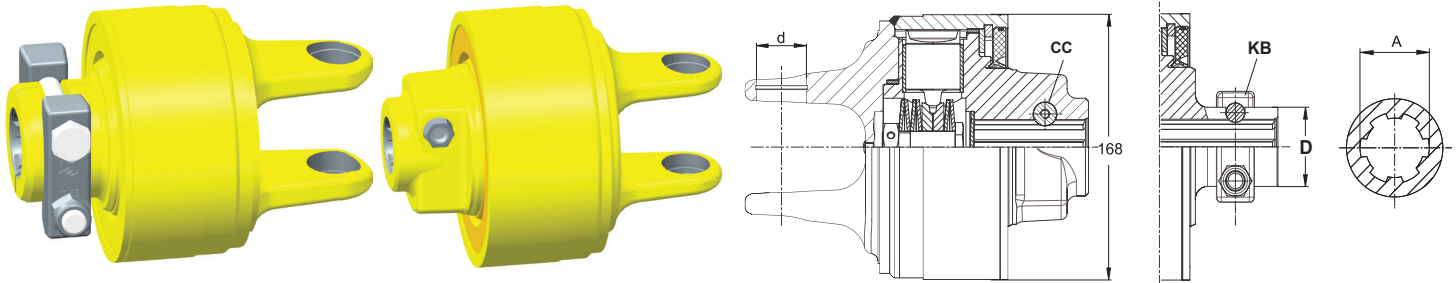


EK68/22
EK68/24



PRODUKT INFO

Nockenschaltkupplung K68 / EK68



K68/22R

Bautyp	Baugröße	d	A	Verschluss	D	M	Zeichnungs-Nr.	Bestell-Nr.
		[mm]	Profil		[mm]	[daNm]		
K68/22R	2400	32	1 3/8" (6)	CC		200	59.102.52	1602564
K68/22R	2400	32	1 3/8" (21)	CC		200	59.103.52	1603332
K68/22R	2400	32	1 3/8" (6)	KB	50	150	59.106.52	1601753***
K68/22R	2400	32	1 3/8" (6)	KB	50	165	59.106.52	1142125
K68/22R	2400	32	1 3/8" (6)	KB	50	235	59.106.52	1601791***
K68/22R	2400	32	1 3/4" (6)	KB	59	165	59.110.52**	1601835**
K68/22R	2400	32	1 3/4" (6)	KB	80	165	59.110.52	1601835
K68/22R	2500	36	1 3/8" (6)	KB	50	210	59.113.52	1603126
K68/22R	2500	36	1 3/8" (6)	KB	50	235	59.113.52	1604182***
K68/22R	2500	36	1 3/4" (6)	KB	80	200	59.119.52	1603344***
K68/22R	2500	36	1 3/4" (6)	KB	59	210	59.105.52*	
K68/22R	2500	36	1 3/4" (6)	KB	80	210	59.119.52	1602560
K68/22R	2500	36	1 3/4" (6)	KB	80	250	59.119.52	1603345

KB = Klemmbrücke

CC = Klemmkonus

* K68/22 (59.105.52/ 1602560) mit Nabe D = 59 mm ersetzt durch K68/22 (59.119.52/1602560) mit Nabe D = 80 mm

** Nabe D = 59 mm ersetzt durch Nabe D = 80 mm

*** kurzfristig verfügbar

K68/24R – K68/24L

Bautyp	Baugröße	d	A	Verschluss	D	M	Zeichnungs-Nr.	Bestell-Nr.
		[mm]	Profil		[mm]	[daNm]		
K68/24R	2600	42	1 3/4" (6)H	CC		260	59.112.52	1602334
K68/24R	2600	42	1 3/4" (20)H	CC		250	59.107.53	1604169***
K68/24R	2600	42	1 3/4" (20)H	CC		350	59.107.53	1603598
K68/24L	2600	42	1 3/4" (20)H	CC		350	59.108.53	1604265

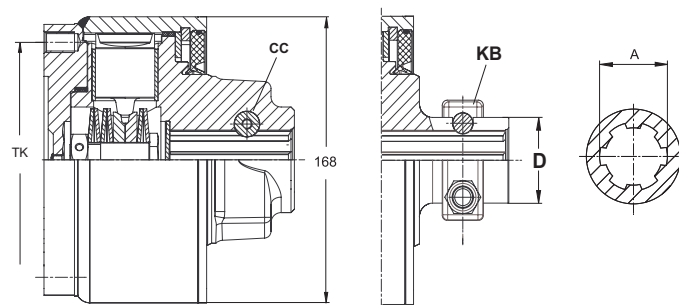
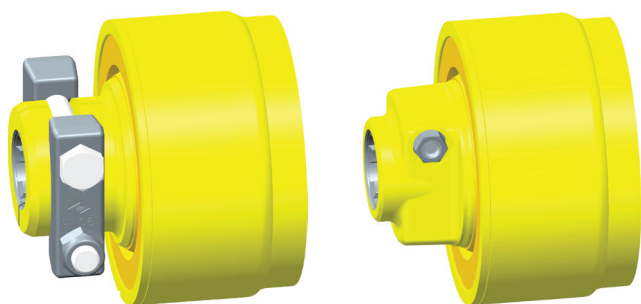
KB = Klemmbrücke

CC = Klemmkonus

*** kurzfristig verfügbar

PRODUKT INFO

Nockenschaltkupplung K68 / EK68



EK68/22R

Bautyp	TK ¹⁾ [mm]	Techn. Angabe	A Profil	Verschluss	D [mm]	M [daNm]	Zeichnungs-Nr.	Bestell-Nr.
EK68/22R	138	6xM12	1 3/8" (6)	KB	50	165	59.115.52	1603321***
EK68/22R	138	6xM12	1 3/4" (6)	KB	59	165	59.111.52	1603322**
EK68/22R	138	6xM12	1 3/4" (6)	KB	80	165	59.111.52	1603322
EK68/22R	138	6xM12	1 3/4" (6)	KB	80	200	59.111.52	1602720
EK68/22R	138	6xM12	1 3/4" (6)	KB	80	210FIX	59.111.52	1603562***

1) TK = Teilkreisdurchmesser

KB = Klemmbrücke

CC = Klemmkonus

** Nabe D = 59 mm ersetzt durch Nabe D = 80 mm

*** kurzfristig verfügbar

EK68/24R – EK68/24L

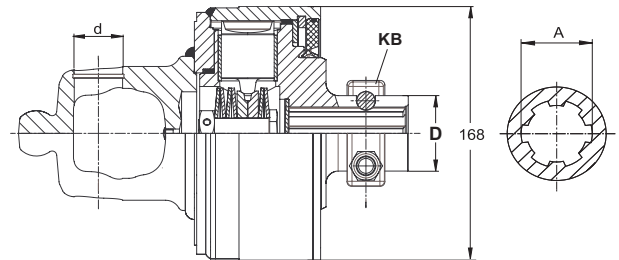
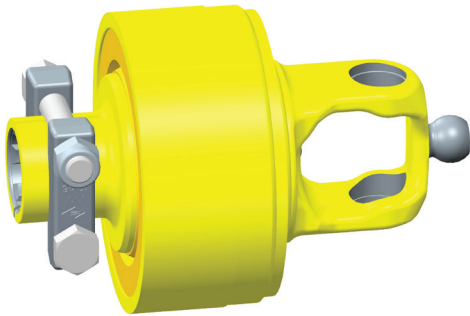
Bautyp	TK ¹⁾ [mm]	Techn. Angabe	A Profil	Verschluss	M [daNm]	Zeichnungs-Nr.	Bestell-Nr.
EK68/24R	138	12xM12	1 3/4" (6)H	CC	380	59.100.53	1600841
EK68/24L	138	12xM12	1 3/4" (6)H	CC	380	59.101.53	1600842

1) TK = Teilkreisdurchmesser

CC = Klemmkonus

PRODUKT INFO

Nockenschaltkupplung K68 / EK68

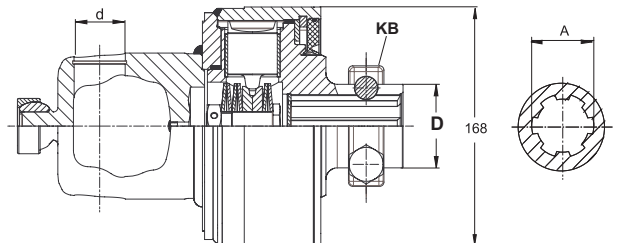
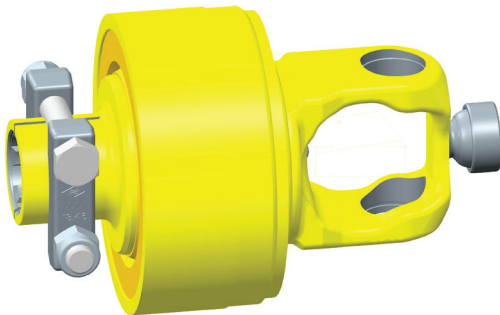


K68/22R WEITWINKEL

Bautyp	Baugröße	d	A	Verschluss	D	M	Zeichnungs-Nr.	Bestell-Nr.
		[mm]	Profil		[mm]	[daNm]		
K68/22R	2480	32	1 3/4" (6)	KB	50	150	59.107.52	1601754***

KB = Klemmbrücke

*** kurzfristig verfügbar



K68/22R WEITWINKEL P (POWER DRIVE)

Bautyp	Baugröße	d	A	Verschluss	D	M	Zeichnungs-Nr.	Bestell-Nr.
		[mm]	Profil		[mm]	[daNm]		
K68/22R	P580	36	1 3/4" (6)	KB	59	200	59.104.52*	
K68/22R	P580	36	1 3/4" (6)	KB	80	200	59.118.52	1609213***
K68/22R	P580	36	1 3/4" (6)	KB	80	235	59.118.52	1603276
K68/22R	P580	36	1 3/4" (6)	KB	59	250	59.104.52*	
K68/22R	P580	36	1 3/4" (6)	KB	80	250	59.118.52	1603343

KB = Klemmbrücke

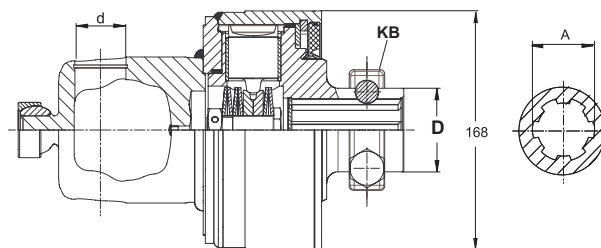
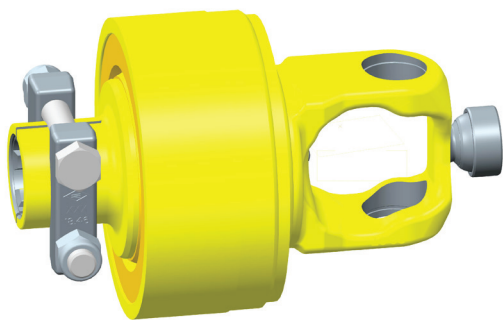
* K68/22 (59.104.52/ 1609213) mit Nabe D = 59 mm ersetzt durch K68/22 (59.118.52/1609213) mit Nabe D = 80 mm

* K68/22 (59.104.52/ 1603343) mit Nabe D = 59 mm ersetzt durch K68/22 (59.118.52/1603343) mit Nabe D = 80 mm

*** kurzfristig verfügbar

PRODUKT INFO

Nockenschaltkupplung K68 / EK68



K68/24R WEITWINKEL P (POWER DRIVE)

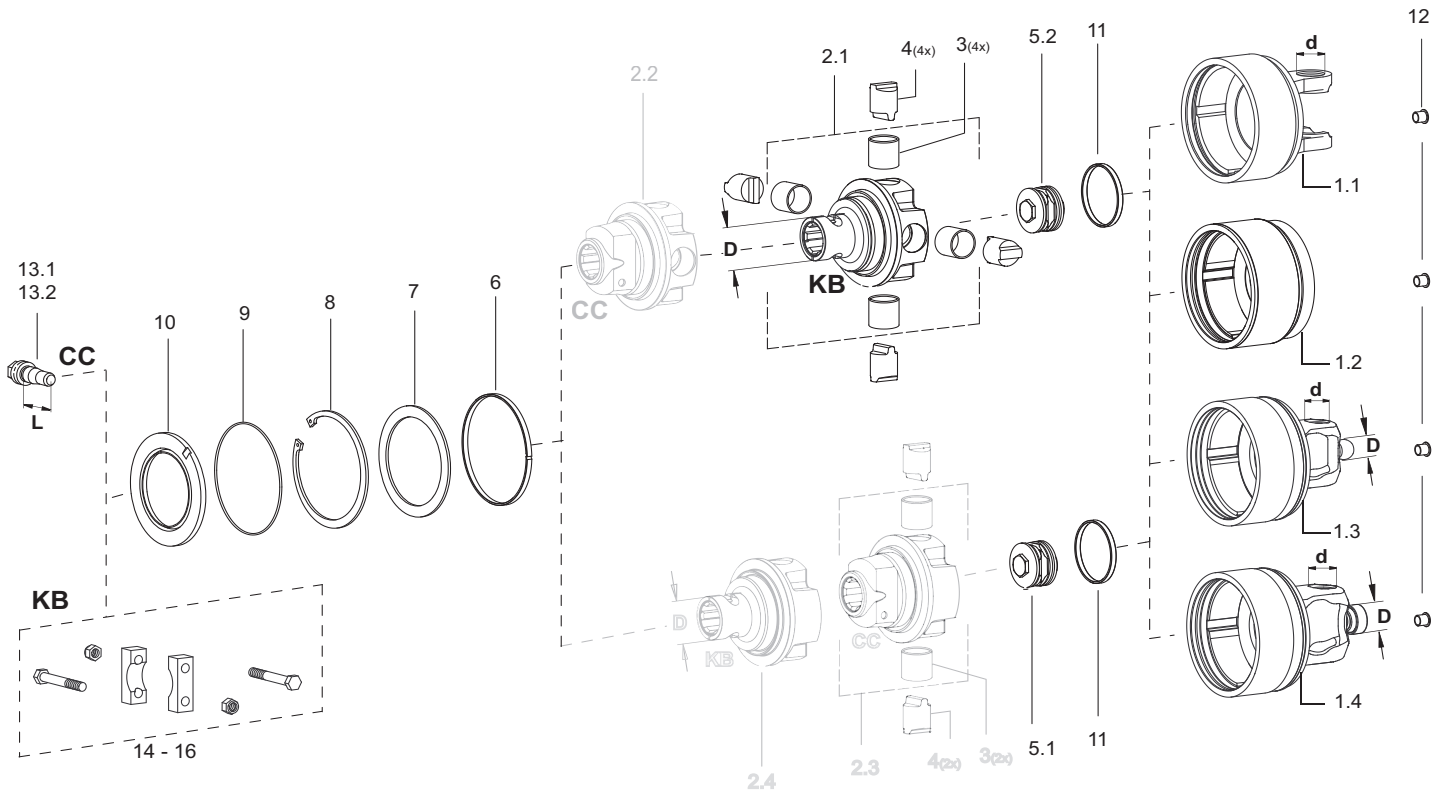
Bautyp	Baugröße	d	A	Verschluss	D	M	Zeichnungs-Nr.	Bestell-Nr.
		[mm]	Profil		[mm]	[daNm]		
K68/24R	P580	36	1 3/4" (6)	KB	80	250FIX	59.106.53	1603563***
K68/24R	P675	36	1 3/4" (6)	KB	59	250	59.104.53*	1602638*
K68/24R	P675	36	1 3/4" (6)	KB	80	250	59.105.53	1603564

KB = Klemmbrücke

* K68/24 (59.104.53/ 1602638) mit Nabe D = 59 mm ersetzt durch K68/24 (59.105.53/1603564) mit Nabe D = 80 mm

*** kurzfristig verfügbar

PRODUKT INFO



K68/22-24 – EK68/22-24 EINZELTEILE

Pos.	Benennung	Baugröße	d	M	TK ¹⁾	Techn. Angabe	D	L	Zeichnungs-Nr.	Bestell-Nr.
			[mm]	[daNm]	[mm]		[mm]	[mm]		
1.1	K68/22-24R Kupplungsgehäuse	2400	32						35.90.19+	1601131
1.1	K68/22-24R Kupplungsgehäuse	2500	36						36.90.34	1602015
1.1	K68/22-24L Kupplungsgehäuse	2500	36						36.90.35	1602016
1.1	K68/22-24R Kupplungsgehäuse	2600	42						26.90.20	1601808
1.1	K68/22-24L Kupplungsgehäuse	2600	42						26.90.22+	1603791
1.2	EK68/22-24L Kupplungsgehäuse				138	(6 / 12) x M12			59.28.02	1600948
1.2	EK68/22-24R Kupplungsgehäuse				138	(6 / 12) x M12			59.28.03	1600952
1.3	K68/22-24R Kupplungsgehäuse	2480	32				27		35.90.22	1601751
1.4	K68/22-24R Kupplungsgehäuse	P580	36				39		36.90.32	1159817
1.4	K68/22-24R Kupplungsgehäuse	P675	42				39		26.90.21	1602639
2.1	K68/24 Nabe					1 3/8" (6)-KB	50		59.29.13	1604124
2.1	K68/24 Nabe					1 3/8" (21)-KB	50		59.29.14	1604125
2.1	K68/24 Nabe					1 3/4" (6)-KB	80		59.29.11	1603356
2.1	K68/24 Nabe					1 3/4" (20)-KB	80		59.29.12	1604123
2.2	K68/24 Nabe					CC				
2.3	K68/22 Nabe					CC				Naben K68/24-KB verwenden
2.4	K68/22 Nabe					KB				
3	Buchse					35x39x30			16.50.721	1600834
4	Nocken					Ø 35			59.23.01	1127120

1) TK = Teilkreisdurchmesser

KB = Klemmbrücke

CC = Klemmkonus

PRODUKT INFO

Nockenschaltkupplung K68 / EK68 EINZELZEILE

Pos.	Benennung	Baugröße	d	M	TK ¹⁾	Techn. Angabe	D	L	Zeichnungs-Nr.	Bestell-Nr.
			[mm]	[daNm]	[mm]		[mm]	[mm]		
5.1	K64-K68/22 Federpaket			150		6x2,0 mm			59.27.04	1129938
5.1	K64-K68/22 Federpaket			165		6x2,0 mm			59.27.04	1129939
5.1	K64-K68/22 Federpaket			200		6x2,0 mm			59.27.04	1129941
5.1	K64-K68/22 Federpaket			220		6x2,0 mm			59.27.04	1129942
5.1	K64-K68/22 Federpaket			235		6x2,0 mm			59.27.04	1134858
5.1	K64-K68/22 Federpaket			250		6x2,0 mm			59.27.04	1134859
5.2	K64-K68/24 Federpaket			250		5x2,5 mm			59.27.00	1128477
5.2	K64-K68/24 Federpaket			270		5x2,5 mm			59.27.00	1129841
5.2	K64-K68/24 Federpaket			290		5x2,5 mm			59.27.00	1129842
5.2	K64-K68/24 Federpaket			320		5x2,5 mm			59.27.00	1129843
5.2	K64-K68/24 Federpaket			350		5x2,5 mm			59.27.00	1129844
5.2	K64-K68/24 Federpaket			380		5x2,5 mm			59.27.00	1136720
5.2	K64-K68/24 Federpaket			400		6x2,5 mm			59.27.06	1134705
5.2	K64-K68/24 Federpaket			420		6x2,5 mm			59.27.06	1136718
5.2	K64-K68/24 Federpaket			450		6x2,5 mm			59.27.06	1134706
6	Lauftring					145x150x7,5			16.52.13	1600833
7	Stützscheibe					120x150x3,5			16.20.81	1364621
8	Sicherungsring					DIN 472 150x5				1159524
9	O-Ring					145x2,5				1159574
10	Dichtring								68.18.13	1600836
11	Lauftring					80x85x7,5			16.52.12	1600832
12	Stopfen					2x7,5x6,6x5				1159809
13.1	CC-Bolzen					1 3/8"		38,5	65.12.06	1107540
13.2	CC-Bolzen					1 3/4"		43,0	65.12.08	1107542

PRODUKT INFO

Nockenschaltkupplung K68 / EK68 EINZELZEILE

Pos.	Benennung	Baugröße	d	M	TK ¹⁾	Techn. Angabe	D	L	Zeichnungs-Nr.	Bestell-Nr.
			[mm]	[daNm]	[mm]		[mm]	[mm]		
14-16										
Pos.	Benennung					Techn. Angabe	D	L	Zeichnungs-Nr.	Bestell-Nr.
							[mm]	[mm]		
14.1	Brücke					1 3/8"	50		16.20.51	1332178*
14.2	Sechskantschraube					M12x85			60.06.11	1020471*
14.3	Sechskantmutter					M12			60.53.03	1010490*
15.1	Brücke					1 3/4"	59		16.20.99	1186397*
15.2	Sechskantschraube					M16x110			60.09.11	1304065*
16.1	Brücke					1 3/4"	80		16.20.249	1603918*
16.2	Sechskantschraube					M16x130				1609212*
16.3	Sechskantmutter					M16			60.57.02	1304011*

1) TK = Teilkreisdurchmesser

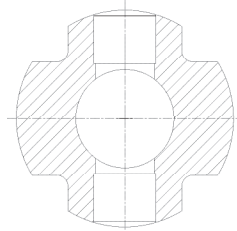
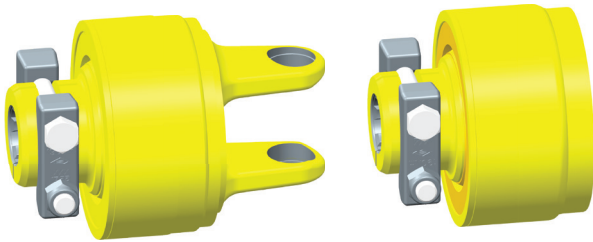
KB = Klemmbrücke

CC = Klemmkonus

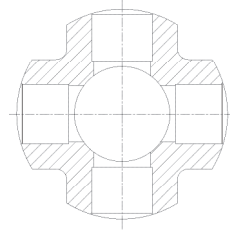
* je Artikel 2 Stück bestellen!

PRODUKT INFO

Nockenschaltkupplung K68 / EK68
mit 1 3/4" Profilen u. Klemmbrücke "KB"

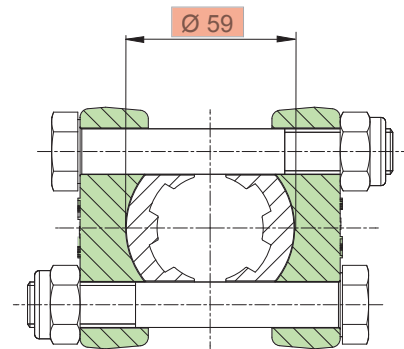
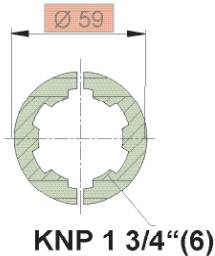
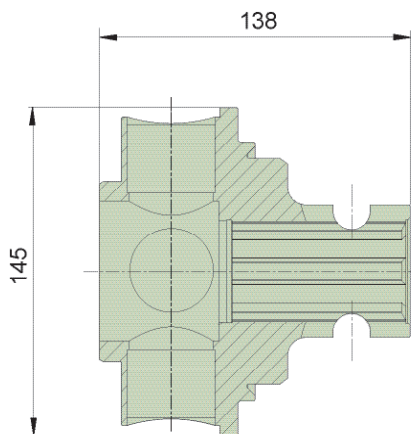


Nabe K68/22



Nabe K68/24

Alte Ausführung bis Dez.2016



Nabe K68/22 -1 3/4"(6) (1159810 / 59.29.06)

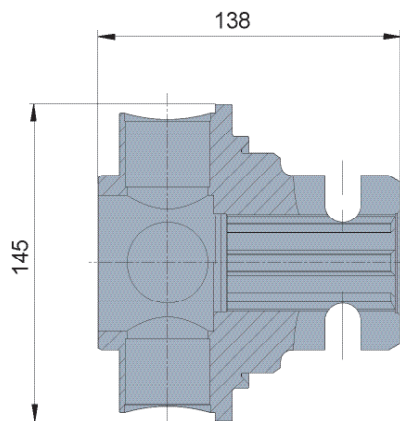
Nabe K68/24 -1 3/4"(6) (1602642 / 59.29.09)



PRODUKT INFO

Nockenschaltkupplung K68 / EK68 mit 1 3/4" Profilen u. Klemmbrücke "KB"

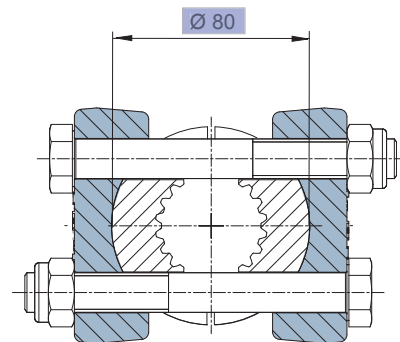
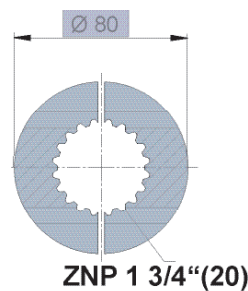
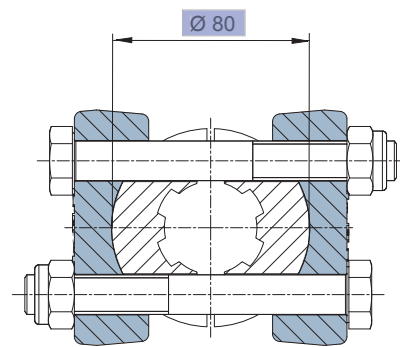
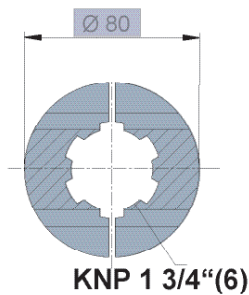
Neue Ausführung ab Jan.2017



Nabe K68/22-1 3/4"(6)
(1609216 / 59.29.10)

Nabe K68/24 -1 3/4"(6)
(1603356 / 59.29.11)

Nabe K68/24 -1 3/4"(20)
(1604123 / 59.29.12)

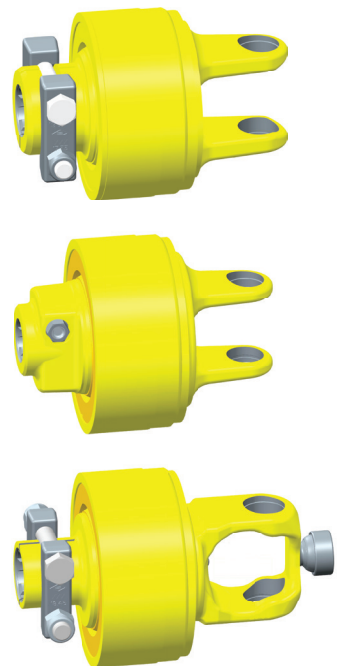
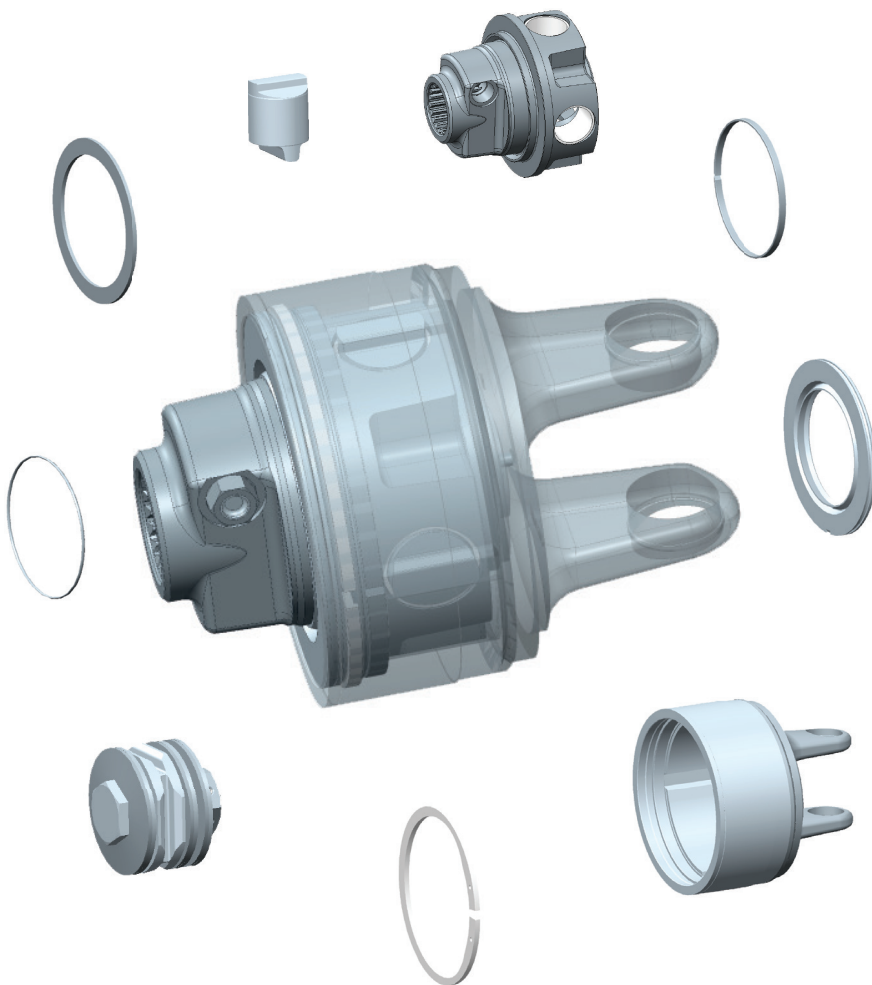


PRODUCT INFORMATION

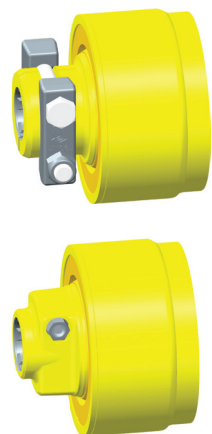
Cam-type cut out clutch K68 / EK68

Clutches and components

K68/22
K68/24

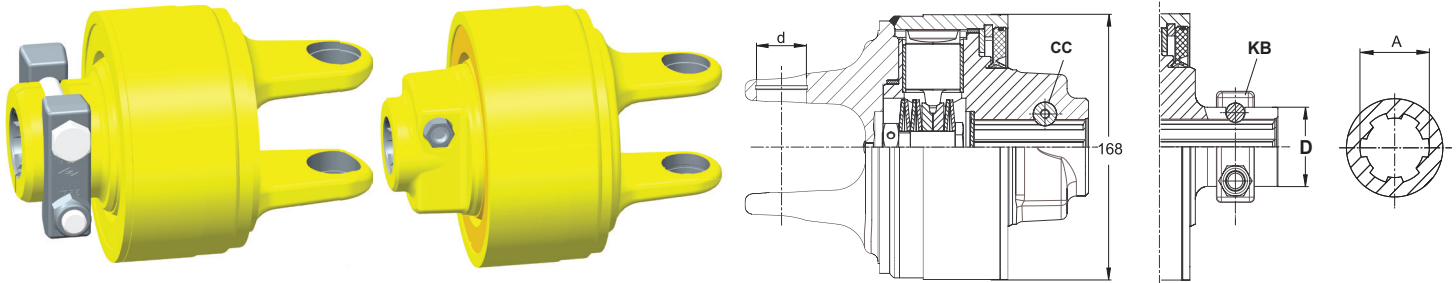


EK68/22
EK68/24



PRODUCT INFORMATION

Cam-type cut out clutch K68 / EK68



K68/22R

Type	Size	d [mm]	A Profil	Lock	D [mm]	M [daNm]	Drawing-No.	Part-No.
K68/22R	2400	32	1 3/8" (6)	CC		200	59.102.52	1602564
K68/22R	2400	32	1 3/8" (21)	CC		200	59.103.52	1603332
K68/22R	2400	32	1 3/8" (6)	KB	50	150	59.106.52	1601753***
K68/22R	2400	32	1 3/8" (6)	KB	50	165	59.106.52	1142125
K68/22R	2400	32	1 3/8" (6)	KB	50	235	59.106.52	1601791***
K68/22R	2400	32	1 3/4" (6)	KB	59	165	59.110.52**	1601835**
K68/22R	2400	32	1 3/4" (6)	KB	80	165	59.110.52	1601835
K68/22R	2500	36	1 3/8" (6)	KB	50	210	59.113.52	1603126
K68/22R	2500	36	1 3/8" (6)	KB	50	235	59.113.52	1604182***
K68/22R	2500	36	1 3/4" (6)	KB	80	200	59.119.52	1603344***
K68/22R	2500	36	1 3/4" (6)	KB	59	210	59.105.52*	
K68/22R	2500	36	1 3/4" (6)	KB	80	210	59.119.52	1602560
K68/22R	2500	36	1 3/4" (6)	KB	80	250	59.119.52	1603345

KB = clamp bridge CC = clamping cone

* K68/22 (59.105.52/ 1602560) with hub D = 59 mm replaced by K68/22 (59.119.52/1602560) with hub D = 80 mm

** hub D = 59 mm replaced by hub D = 80 mm

*** item available soon

K68/24R – K68/24L

Type	Size	d [mm]	A Profil	Lock	D [mm]	M [daNm]	Drawing-No.	Part-No.
K68/24R	2600	42	1 3/4" (6)H	CC		260	59.112.52	1602334
K68/24R	2600	42	1 3/4" (20)H	CC		250	59.107.53	1604169***
K68/24R	2600	42	1 3/4" (20)H	CC		350	59.107.53	1603598
K68/24L	2600	42	1 3/4" (20)H	CC		350	59.108.53	1604265

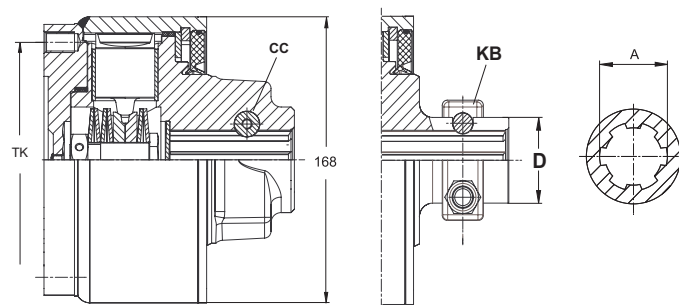
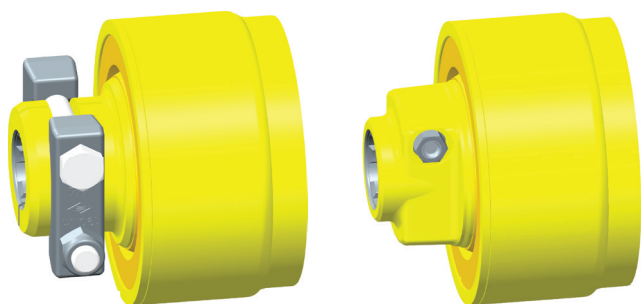
KB = clamp bridge

CC = clamping cone

*** item available soon

PRODUCT INFORMATION

Cam-type cut out clutch K68 / EK68



EK68/22R

Type	TK ¹⁾ [mm]	Technical data	A Profil	Lock	D [mm]	M [daNm]	Drawing-No.	Part-No.
EK68/22R	138	6xM12	1 3/8" (6)	KB	50	165	59.115.52	1603321***
EK68/22R	138	6xM12	1 3/4" (6)	KB	59	165	59.111.52	1603322**
EK68/22R	138	6xM12	1 3/4" (6)	KB	80	165	59.111.52	1603322
EK68/22R	138	6xM12	1 3/4" (6)	KB	80	200	59.111.52	1602720
EK68/22R	138	6xM12	1 3/4" (6)	KB	80	210FIX	59.111.52	1603562***

1) TK = pitch circle diameter

KB = clamp bridge

CC = clamping cone

** hub D = 59 mm replaced by hub D = 80 mm

*** item available soon

EK68/24R – EK68/24L

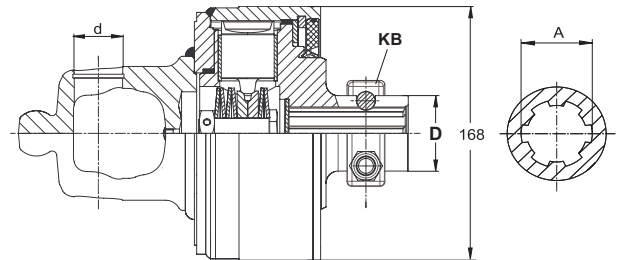
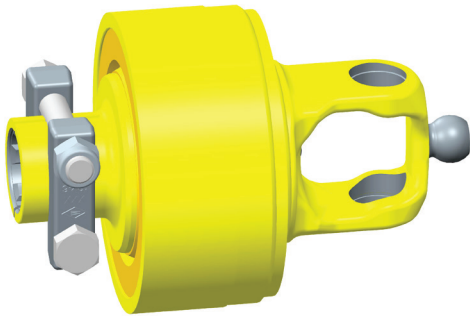
Type	TK ¹⁾ [mm]	Technical data	A Profil	Lock	M [daNm]	Drawing-No.	Part-No.
EK68/24R	138	12xM12	1 3/4" (6)H	CC	380	59.100.53	1600841
EK68/24L	138	12xM12	1 3/4" (6)H	CC	380	59.101.53	1600842

1) TK = pitch circle diameter

CC = clamping cone

PRODUCT INFORMATION

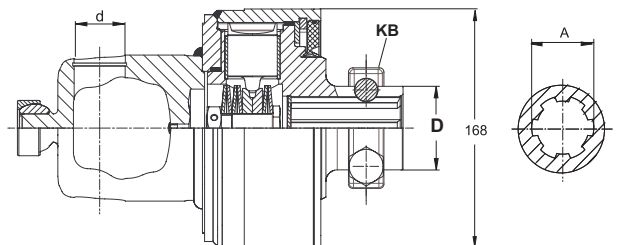
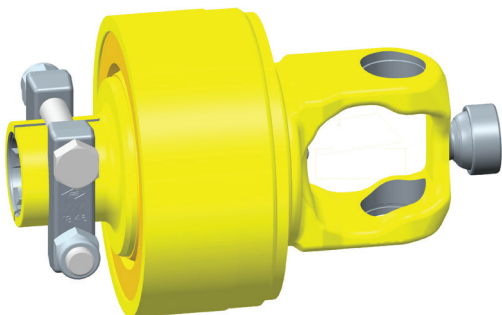
Cam-type cut out clutch K68 / EK68



K68/22R WIDE-ANGLE

Type	Size	d	A	Lock	D	M	Drawing-No.	Part-No.
		[mm]	Profil		[mm]	[daNm]		
K68/22R	2480	32	1 3/4" (6)	KB	50	150	59.107.52	1601754***

KB = clamp bridge
*** item available soon



K68/22R WIDE-ANGLE P (POWER DRIVE)

Type	Size	d	A	Lock	D	M	Drawing-No.	Part-No.
		[mm]	Profil		[mm]	[daNm]		
K68/22R	P580	36	1 3/4" (6)	KB	59	200	59.104.52*	
K68/22R	P580	36	1 3/4" (6)	KB	80	200	59.118.52	1609213***
K68/22R	P580	36	1 3/4" (6)	KB	80	235	59.118.52	1603276
K68/22R	P580	36	1 3/4" (6)	KB	59	250	59.104.52*	
K68/22R	P580	36	1 3/4" (6)	KB	80	250	59.118.52	1603343

KB = clamp bridge

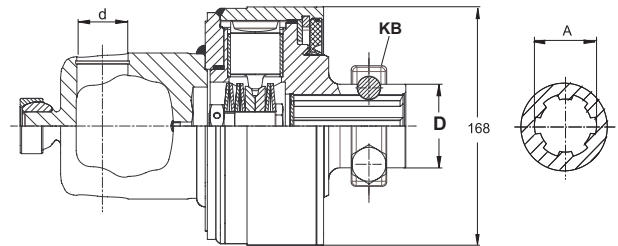
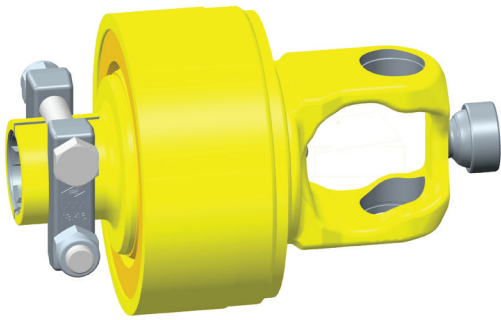
* K68/22 (59.104.52/ 1609213) with hub D = 59 mm replaced by K68/22 (59.118.52/1609213) with hub D = 80 mm

* K68/22 (59.104.52/ 1603343) with hub D = 59 mm replaced by K68/22 (59.118.52/1603343) with hub D = 80 mm

*** item available soon

PRODUCT INFORMATION

Cam-type cut out clutch K68 / EK68



K68/24R WIDE-ANGLE P (POWER DRIVE)

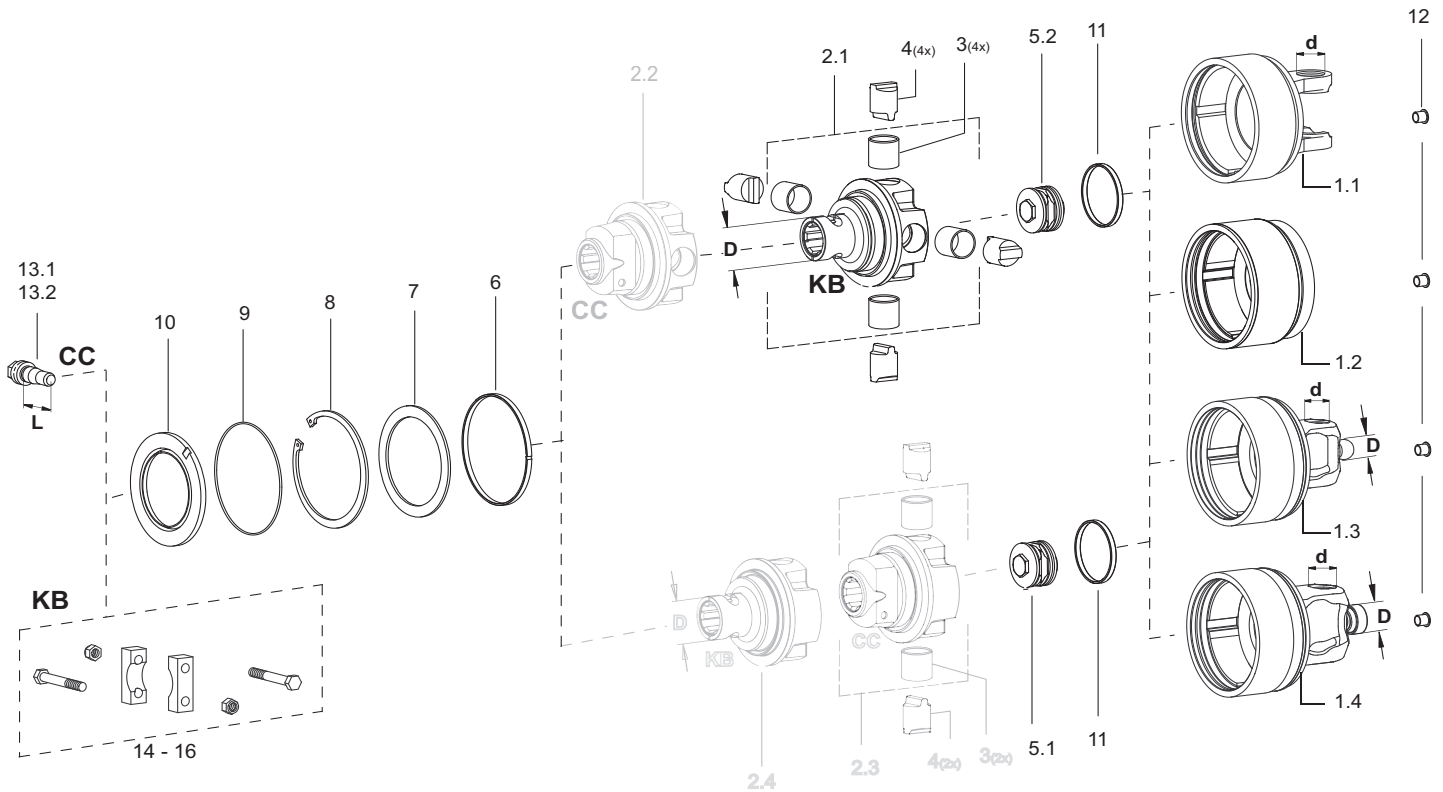
Type	Size	d	A	Lock	D	M	Drawing-No.	Part-No.
		[mm]	Profil		[mm]	[daNm]		
K68/24R	P580	36	1 3/4" (6)	KB	80	250FIX	59.106.53	1603563***
K68/24R	P675	36	1 3/4" (6)	KB	59	250	59.104.53*	1602638*
K68/24R	P675	36	1 3/4" (6)	KB	80	250	59.105.53	1603564

KB = clamp bridge

* K68/24 (59.104.53/ 1602638) with hub D = 59 mm replaced by K68/24 (59.105.53/1603564) with hub D = 80 mm

*** item available soon

PRODUCT INFORMATION



Cam-type cut out clutch K68 / EK68 parts

Item	Designation	Size	d	M	TK ¹⁾	Technical data	D	L	Drawing-No.	Part-No.
			[mm]	[daNm]	[mm]		[mm]	[mm]		
1.1	K68/22-24R Clutch housing	2400	32						35.90.19+	1601131
1.1	K68/22-24R Clutch housing	2500	36						36.90.34	1602015
1.1	K68/22-24L Clutch housing	2500	36						36.90.35	1602016
1.1	K68/22-24R Clutch housing	2600	42						26.90.20	1601808
1.1	K68/22-24L Clutch housing	2600	42						26.90.22+	1603791
1.2	EK68/22-24L Clutch housing				138	(6 / 12) x M12			59.28.02	1600948
1.2	EK68/22-24R Clutch housing				138	(6 / 12) x M12			59.28.03	1600952
1.3	K68/22-24R Clutch housing	2480	32				27		35.90.22	1601751
1.4	K68/22-24R Clutch housing	P580	36				39		36.90.32	1159817
1.4	K68/22-24R Clutch housing	P675	42				39		26.90.21	1602639
2.1	K68/24 Hub					1 3/8" (6)-KB	50		59.29.13	1604124
2.1	K68/24 Hub					1 3/8" (21)-KB	50		59.29.14	1604125
2.1	K68/24 Hub					1 3/4" (6)-KB	80		59.29.11	1603356
2.1	K68/24 Hub					1 3/4" (20)-KB	80		59.29.12	1604123
2.2	K68/24 Hub					CC				
2.3	K68/22 Hub					CC				use hub K68/24-KB
2.4	K68/22 Hub					KB				
3	Bush					35x39x30			16.50.721	1600834
4	Cam					Ø 35			59.23.01	1127120

1) TK = pitch circle diameter

KB = clamp bridge

CC = clamping cone

PRODUCT INFORMATION

Cam-type cut out clutch K68 / EK68 parts

Item	Designation	Size	d	M	TK ¹⁾	Technical data	D	L	Drawing-No.	Part-No.
			[mm]	[daNm]	[mm]		[mm]	[mm]		
5.1	K64-K68/22 Spring pack assembly			150		6x2,0 mm			59.27.04	1129938
5.1	K64-K68/22 Spring pack assembly			165		6x2,0 mm			59.27.04	1129939
5.1	K64-K68/22 Spring pack assembly			200		6x2,0 mm			59.27.04	1129941
5.1	K64-K68/22 Spring pack assembly			220		6x2,0 mm			59.27.04	1129942
5.1	K64-K68/22 Spring pack assembly			235		6x2,0 mm			59.27.04	1134858
5.1	K64-K68/22 Spring pack assembly			250		6x2,0 mm			59.27.04	1134859
5.2	K64-K68/24 Spring pack assembly			250		5x2,5 mm			59.27.00	1128477
5.2	K64-K68/24 Spring pack assembly			270		5x2,5 mm			59.27.00	1129841
5.2	K64-K68/24 Spring pack assembly			290		5x2,5 mm			59.27.00	1129842
5.2	K64-K68/24 Spring pack assembly			320		5x2,5 mm			59.27.00	1129843
5.2	K64-K68/24 Spring pack assembly			350		5x2,5 mm			59.27.00	1129844
5.2	K64-K68/24 Spring pack assembly			380		5x2,5 mm			59.27.00	1136720
5.2	K64-K68/24 Spring pack assembly			400		6x2,5 mm			59.27.06	1134705
5.2	K64-K68/24 Spring pack assembly			420		6x2,5 mm			59.27.06	1136718
5.2	K64-K68/24 Spring pack assembly			450		6x2,5 mm			59.27.06	1134706
6	Ring					145x150x7,5			16.52.13	1600833
7	Supporting ring					120x150x3,5			16.20.81	1364621
8	Retaining ring					DIN 472 150x5				1159524
9	O-ring					145x2,5				1159574
10	Sealing ring								68.18.13	1600836
11	Ring					80x85x7,5			16.52.12	1600832
12	Plug					2x7,5x6,6x5				1159809
13.1	Clamping cone CC					1 3/8"		38,5	65.12.06	1107540
13.2	Clamping cone CC					1 3/4"		43,0	65.12.08	1107542

PRODUCT INFORMATION

Cam-type cut out clutch K68 / EK68 parts

Item	Designation	Size	d	M	TK ¹⁾	Technical data	D	L	Drawing-No.	Part-No.
			[mm]	[daNm]	[mm]		[mm]	[mm]		
Item	Designation					Technical data	D	L	Drawing-No.	Part-No.
							[mm]	[mm]		
14.1	Bridge					1 3/8"	50		16.20.51	1332178*
14.2	Hexagon bolt					M12x85			60.06.11	1020471*
14.3	Self-locking hexagon nut					M12			60.53.03	1010490*
15.1	Bridge					1 3/4"	59		16.20.99	1186397*
15.2	Hexagon bolt					M16x110			60.09.11	1304065*
16.1	Bridge					1 3/4"	80		16.20.249	1603918*
16.2	Hexagon bolt					M16x130				1609212*
16.3	Self-locking hexagon nut					M16			60.57.02	1304011*

1) TK = pitch circle diameter

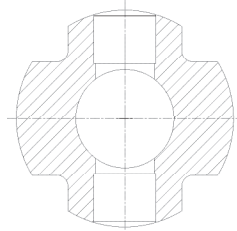
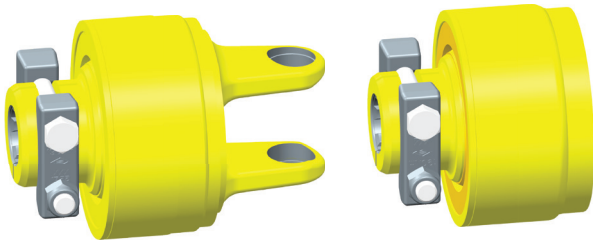
KB = clamp bridge

CC = clamping cone

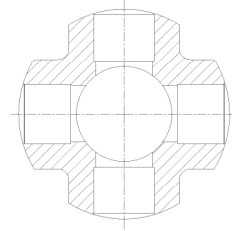
* order 2 pieces per article!

PRODUCT INFORMATION

Cam-type cut out clutch K68 / EK68
with 1 3/4" profiles and clamp bridge "KB"

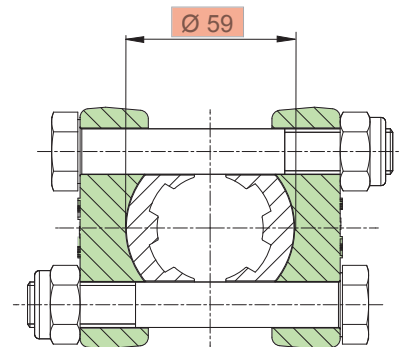
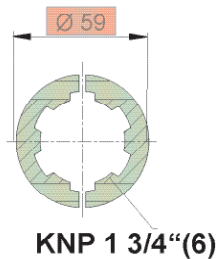
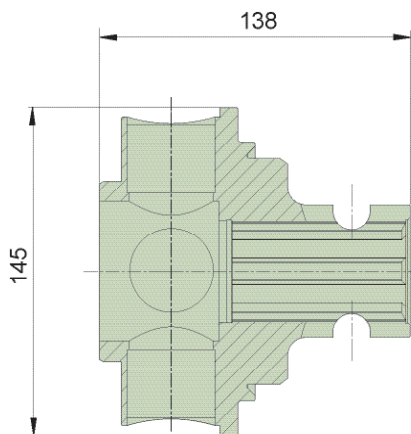


Hub K68/22



Hub K68/24

Old version up to December 2016



Hub K68/22 -1 3/4"(6) (1159810 / 59.29.06)

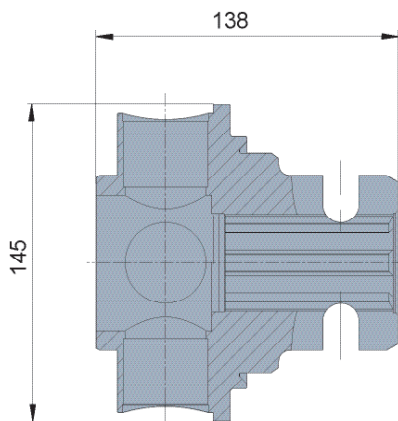
Hub K68/24 -1 3/4"(6) (1602642 / 59.29.09)



PRODUCT INFORMATION

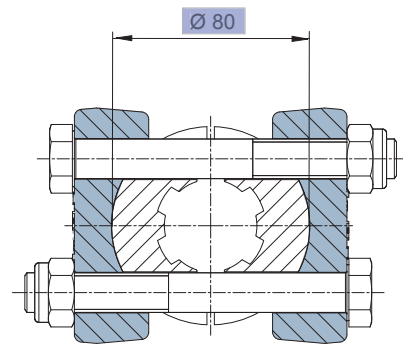
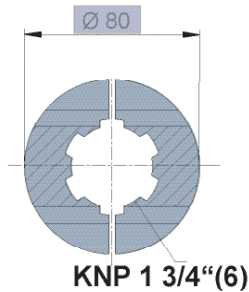
Cam-type cut out clutch K68 / EK68
with 1 3/4" profiles and clamp bridge "KB"

New version as of January 2017

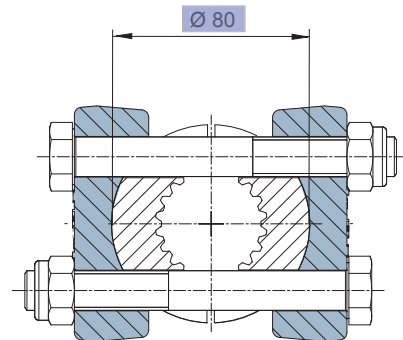
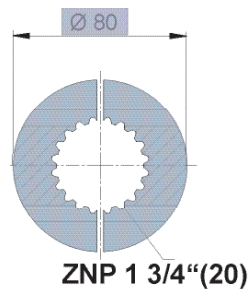


Hub K68/22-1 3/4"(6)
(1609216 / 59.29.10)

Hub K68/24 -1 3/4"(6)
(1603356 / 59.29.11)



Hub K68/24 -1 3/4"(20)
(1604123 / 59.29.12)

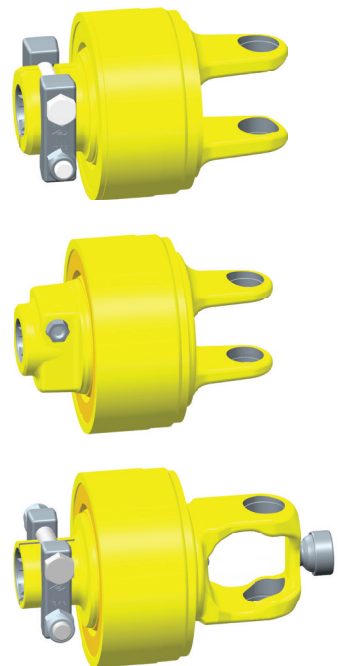
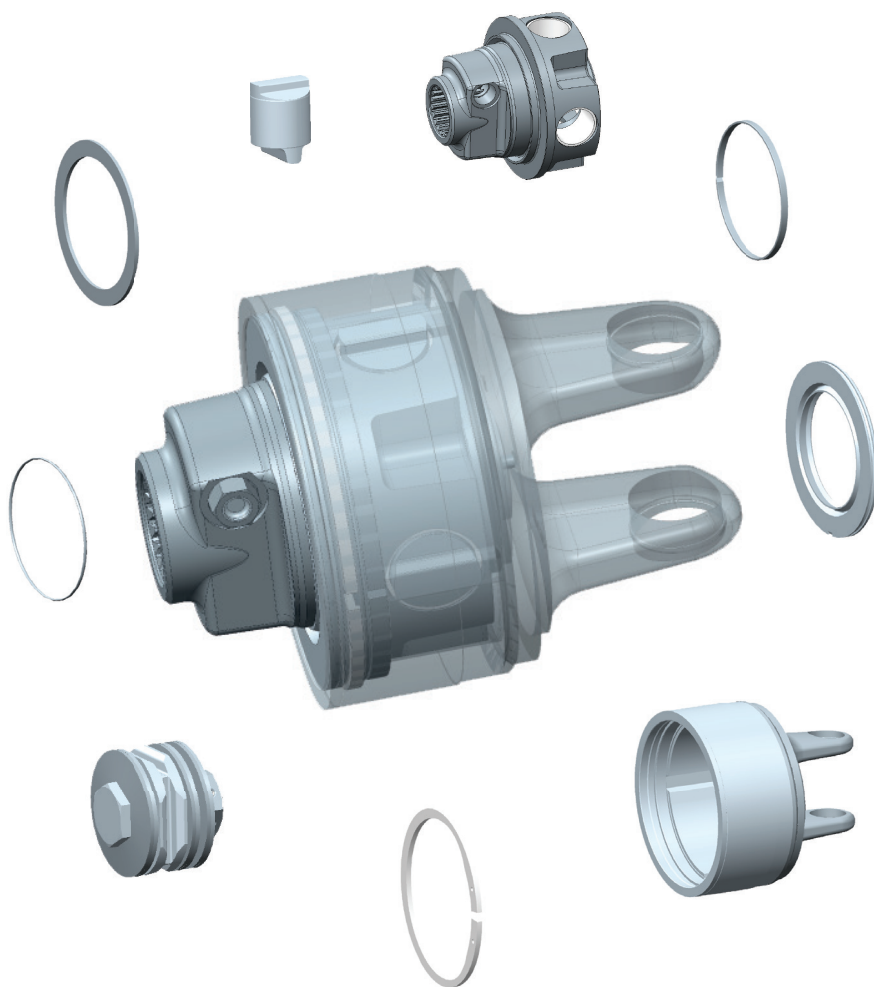


INFO PRODUIT

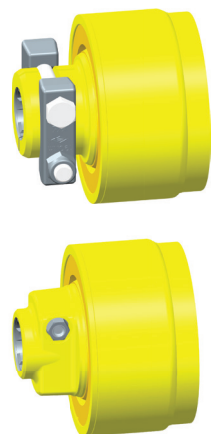
LIMITEURS DÉBRAYABLES À CAMES K68 / EK68

Limiteurs et Pièces détachées

K68/22
K68/24

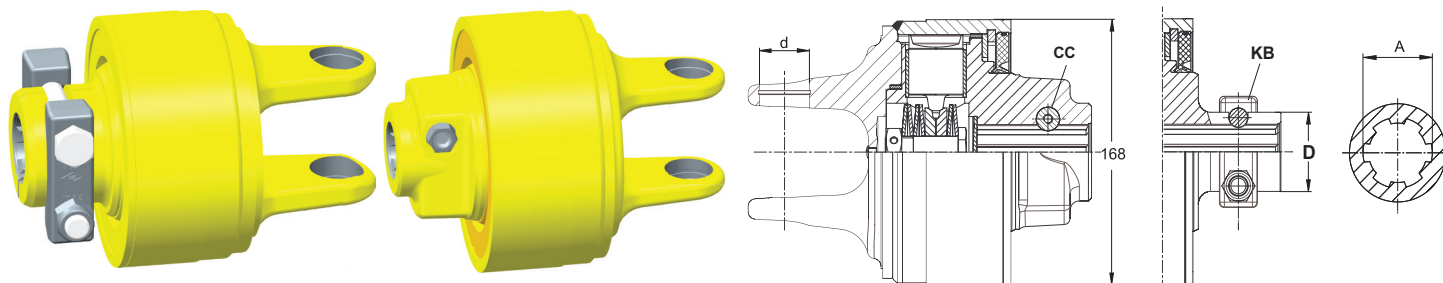


EK68/22
EK68/24



INFO PRODUIT

Limiteurs débrayables à cames K68 / EK68



K68/22R

Type	Série	d [mm]	A Profil	Verrouillage	D [mm]	M [daNm]	N° du plan	Référence
K68/22R	2400	32	1 3/8" (6)	CC		200	59.102.52	1602564
K68/22R	2400	32	1 3/8" (21)	CC		200	59.103.52	1603332
K68/22R	2400	32	1 3/8" (6)	KB	50	150	59.106.52	1601753***
K68/22R	2400	32	1 3/8" (6)	KB	50	165	59.106.52	1142125
K68/22R	2400	32	1 3/8" (6)	KB	50	235	59.106.52	1601791***
K68/22R	2400	32	1 3/4" (6)	KB	59	165	59.110.52**	1601835**
K68/22R	2400	32	1 3/4" (6)	KB	80	165	59.110.52	1601835
K68/22R	2500	36	1 3/8" (6)	KB	50	210	59.113.52	1603126
K68/22R	2500	36	1 3/8" (6)	KB	50	235	59.113.52	1604182***
K68/22R	2500	36	1 3/4" (6)	KB	80	200	59.119.52	1603344***
K68/22R	2500	36	1 3/4" (6)	KB	59	210	59.105.52*	
K68/22R	2500	36	1 3/4" (6)	KB	80	210	59.119.52	1602560
K68/22R	2500	36	1 3/4" (6)	KB	80	250	59.119.52	1603345

KB = Serrage à pontet

CC = Boulon conique

* K68/22 (59.105.52/ 1602560) avec moyeu D = 59 mm remplacé par K68/22 (59.119.52/1602560) avec moyeu D = 80 mm

** Moyeu D = 59 mm remplacé par moyeu D = 80 mm

*** à court terme disponible

K68/24R – K68/24L

Type	Série	d [mm]	A Profil	Verrouillage	D [mm]	M [daNm]	N° du plan	Référence
K68/24R	2600	42	1 3/4" (6)H	CC		260	59.112.52	1602334
K68/24R	2600	42	1 3/4" (20)H	CC		250	59.107.53	1604169***
K68/24R	2600	42	1 3/4" (20)H	CC		350	59.107.53	1603598
K68/24L	2600	42	1 3/4" (20)H	CC		350	59.108.53	1604265

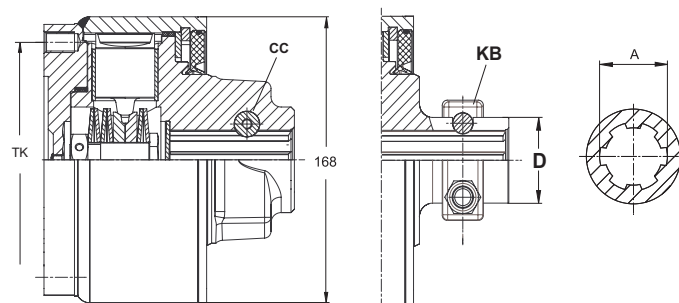
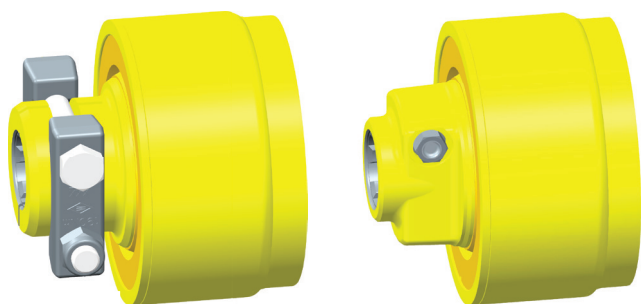
KB = Serrage à pontet

CC = Boulon conique

*** à court terme disponible

INFO PRODUIT

Limiteurs débrayables à cames K68 / EK68



EK68/22R

Type	TK ¹⁾	Données techniques	A	Verrouillage	D	M	N° du plan	Référence
	[mm]		Profil		[mm]	[daNm]		
EK68/22R	138	6xM12	1 3/8" (6)	KB	50	165	59.115.52	1603321***
EK68/22R	138	6xM12	1 3/4" (6)	KB	59	165	59.111.52	1603322**
EK68/22R	138	6xM12	1 3/4" (6)	KB	80	165	59.111.52	1603322
EK68/22R	138	6xM12	1 3/4" (6)	KB	80	200	59.111.52	1602720
EK68/22R	138	6xM12	1 3/4" (6)	KB	80	210FIX	59.111.52	1603562***

1) TK = Diamètre des perçages

KB = Serrage à pontet

CC = Boulon conique

** Moyeu D = 59 mm remplacé par Moyeu D = 80 mm

*** à court terme disponible

EK68/24R – EK68/24L

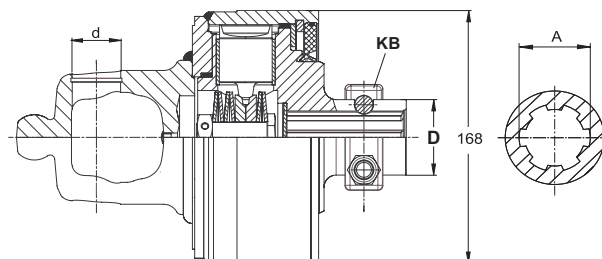
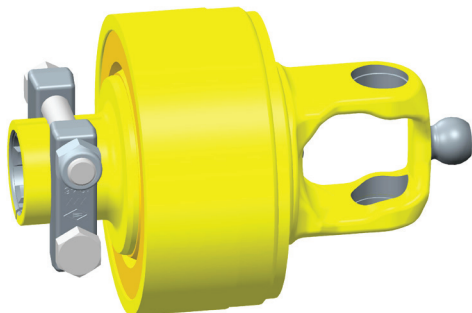
Type	TK ¹⁾	Données techniques	A	Verrouillage	M	N° du plan	Référence
	[mm]		Profil		[daNm]		
EK68/24R	138	12xM12	1 3/4" (6)H	CC	380	59.100.53	1600841
EK68/24L	138	12xM12	1 3/4" (6)H	CC	380	59.101.53	1600842

1) TK = Diamètre des perçages

CC = Boulon conique

INFO PRODUIT

Limiteurs débrayables à cames K68 / EK68

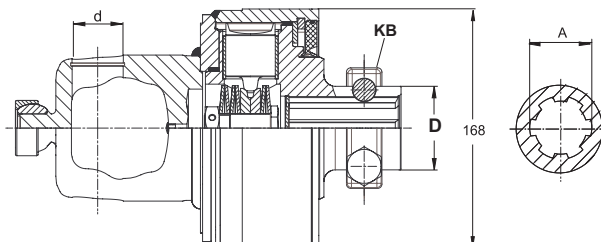
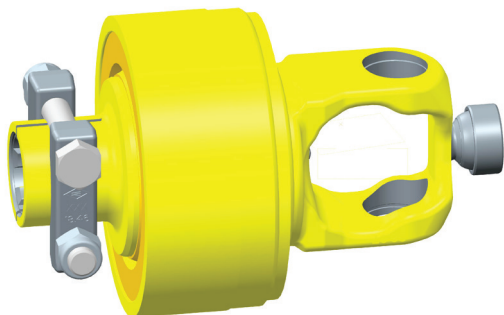


K68/22R GRAND ANGLE

Type	Série	d	A	Verrouillage	D	M	Zeichnungs-Nr.	Référence
		[mm]	Profil		[mm]	[daNm]		
K68/22R	2480	32	1 3/4" (6)	KB	50	150	59.107.52	1601754***

KB = Serrage à pontet

*** à court terme disponible



K68/22R GRAND ANGLE P (POWER DRIVE)

Type	Série	d	A	Verrouillage	D	M	N° du plan	Référence
		[mm]	Profil		[mm]	[daNm]		
K68/22R	P580	36	1 3/4" (6)	KB	59	200	59.104.52*	
K68/22R	P580	36	1 3/4" (6)	KB	80	200	59.118.52	1609213***
K68/22R	P580	36	1 3/4" (6)	KB	80	235	59.118.52	1603276
K68/22R	P580	36	1 3/4" (6)	KB	59	250	59.104.52*	
K68/22R	P580	36	1 3/4" (6)	KB	80	250	59.118.52	1603343

KB = Serrage à pontet

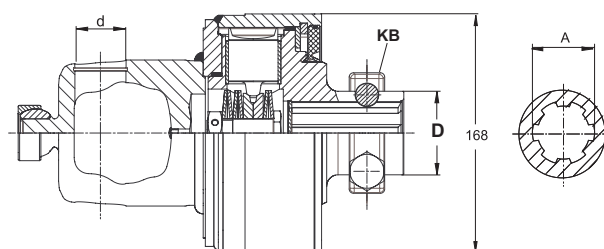
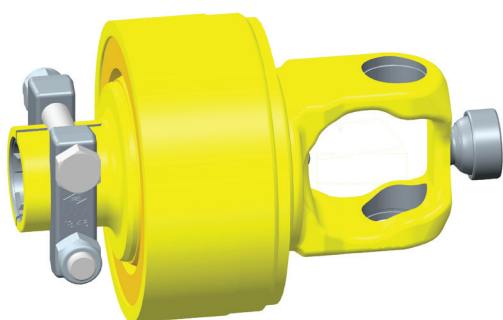
* K68/22 (59.104.52/ 1609213) avec moyeu D = 59 mm remplacé par K68/22 (59.118.52/1609213) avec Moyeu D = 80 mm

* K68/22 (59.104.52/ 1603343) avec moyeu D = 59 mm remplacé par K68/22 (59.118.52/1603343) avec moyeu D = 80 mm

*** à court terme disponible

INFO PRODUIT

Limiteurs débrayables à cames K68 / EK68



K68/24R GRAND ANGLE P (POWER DRIVE)

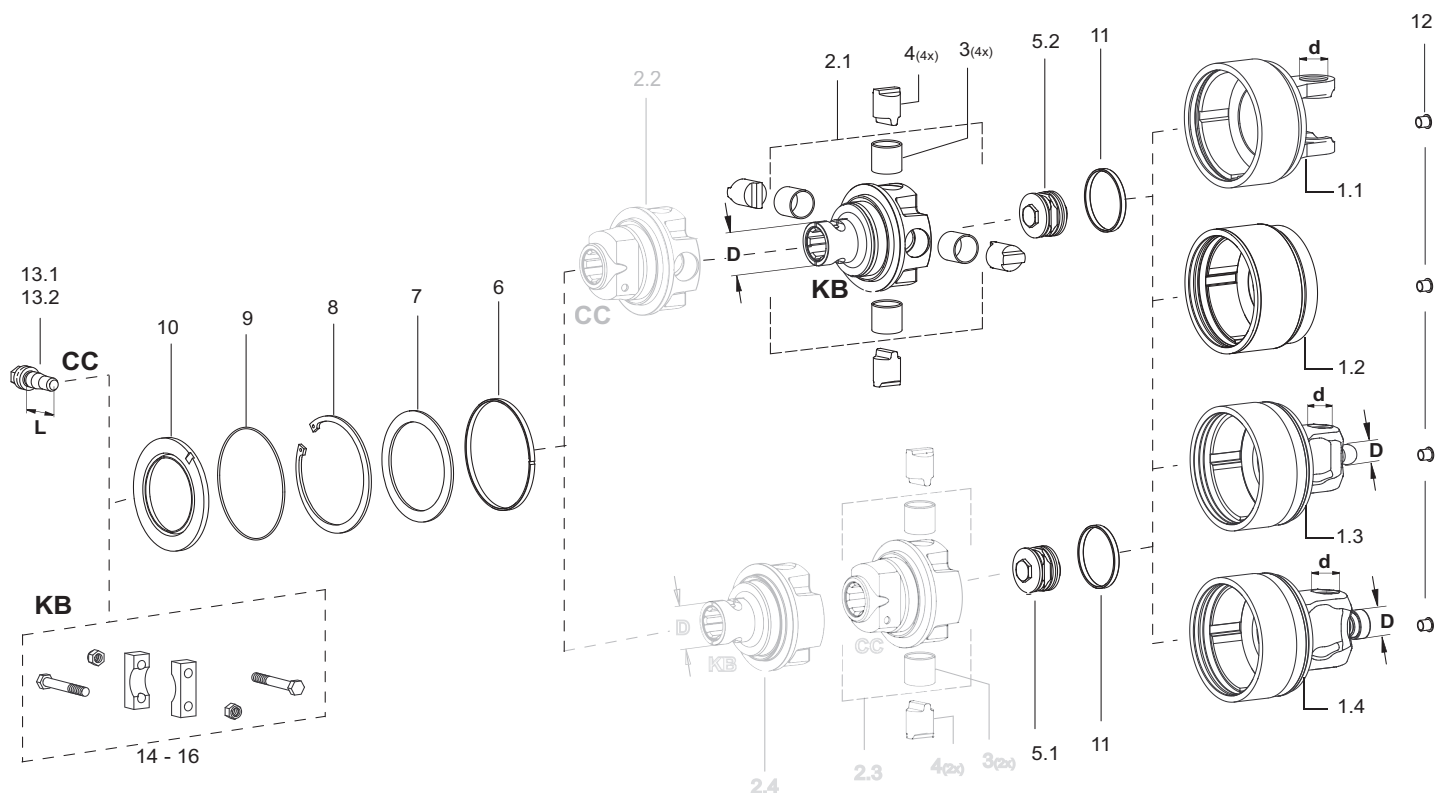
Type	Série	d [mm]	A Profil	Verrouillage	D [mm]	M [daNm]	N° du plan	Référence
K68/24R	P580	36	1 3/4" (6)	KB	80	250FIX	59.106.53	1603563***
K68/24R	P675	36	1 3/4" (6)	KB	59	250	59.104.53*	1602638*
K68/24R	P675	36	1 3/4" (6)	KB	80	250	59.105.53	1603564

KB = Serrage à pontet

* K68/24 (59.104.53/ 1602638) avec moyeu D = 59 mm remplacé par K68/24 (59.105.53/1603564) avec moyeu D = 80 mm

*** à court terme disponible

INFO PRODUIT



K68/22-24 – EK68/22-24 pièces détachées

Pos.	Désignation	Série	d	M	TK ¹⁾	Données techniques	D	L	N° du plan	Référence
			[mm]	[daNm]	[mm]		[mm]	[mm]		
1.1	Boîtier K68/22-24R	2400	32						35.90.19+	1601131
1.1	Boîtier K68/22-24R	2500	36						36.90.34	1602015
1.1	Boîtier K68/22-24L	2500	36						36.90.35	1602016
1.1	Boîtier K68/22-24R	2600	42						26.90.20	1601808
1.1	Boîtier K68/22-24L	2600	42						26.90.22+	1603791
1.2	Boîtier EK68/22-24L				138	(6 / 12) x M12			59.28.02	1600948
1.2	Boîtier EK68/22-24R				138	(6 / 12) x M12			59.28.03	1600952
1.3	Boîtier K68/22-24R	2480	32				27		35.90.22	1601751
1.4	Boîtier K68/22-24R	P580	36				39		36.90.32	1159817
1.4	Boîtier K68/22-24R	P675	42				39		26.90.21	1602639
2.1	Moyeu K68/24					1 3/8" (6)-KB	50		59.29.13	1604124
2.1	Moyeu K68/24					1 3/8" (21)-KB	50		59.29.14	1604125
2.1	Moyeu K68/24					1 3/4" (6)-KB	80		59.29.11	1603356
2.1	Moyeu K68/24					1 3/4" (20)-KB	80		59.29.12	1604123
2.2	Moyeu K68/24					CC			utiliser le pontet K68/24-KB	
2.3	Moyeu K68/22					CC				
2.4	Moyeu K68/22					KB				
3	Douille					35x39x30			16.50.721	1600834
4	Came					Ø 35			59.23.01	1127120

1) TK = Diamètre des perçages

KB = Serrage à pontet

CC = Boulon conique

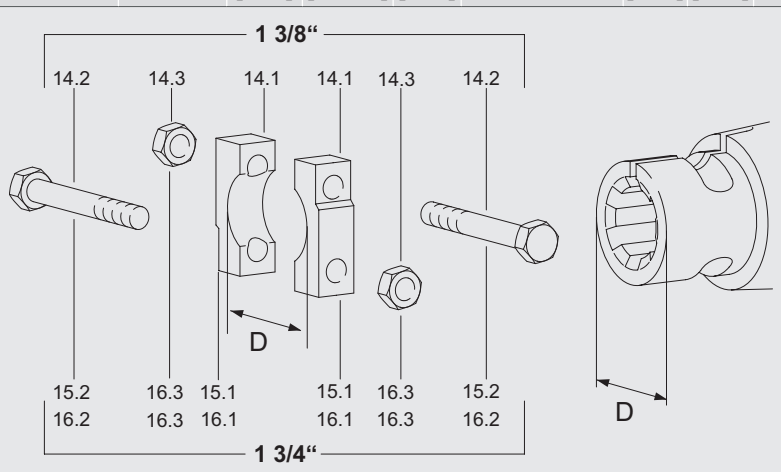
INFO PRODUIT

K68/22-24 – EK68/22-24 pièces détachées

Pos.	Désignation	Série	d	M	TK ¹⁾	Données techniques	D	L	N° du plan	Référence
			[mm]	[daNm]	[mm]		[mm]	[mm]		
5.1	Block-ressort K64-K68/22			150		6x2,0 mm			59.27.04	1129938
5.1	Block-ressort K64-K68/22			165		6x2,0 mm			59.27.04	1129939
5.1	Block-ressort K64-K68/22			200		6x2,0 mm			59.27.04	1129941
5.1	Block-ressort K64-K68/22			220		6x2,0 mm			59.27.04	1129942
5.1	Block-ressort K64-K68/22			235		6x2,0 mm			59.27.04	1134858
5.1	Block-ressort K64-K68/22			250		6x2,0 mm			59.27.04	1134859
5.2	Block-ressort K64-K68/24			250		5x2,5 mm			59.27.00	1128477
5.2	Block-ressort K64-K68/24			270		5x2,5 mm			59.27.00	1129841
5.2	Block-ressort K64-K68/24			290		5x2,5 mm			59.27.00	1129842
5.2	Block-ressort K64-K68/24			320		5x2,5 mm			59.27.00	1129843
5.2	Block-ressort K64-K68/24			350		5x2,5 mm			59.27.00	1129844
5.2	Block-ressort K64-K68/24			380		5x2,5 mm			59.27.00	1136720
5.2	Block-ressort K64-K68/24			400		6x2,5 mm			59.27.06	1134705
5.2	Block-ressort K64-K68/24			420		6x2,5 mm			59.27.06	1136718
5.2	Block-ressort K64-K68/24			450		6x2,5 mm			59.27.06	1134706
6	Bague					145x150x7,5			16.52.13	1600833
7	Rondelle pour bague de frein					120x150x3,5			16.20.81	1364621
8	circlips (ancienne version)					DIN 472 150x5				1159524
9	Joint torique					145x2,5				1159574
10	Joint								68.18.13	1600836
11	Bague					80x85x7,5			16.52.12	1600832
12	Stuff					2x7,5x6,6x5				1159809
13.1	Boulon conique CC					1 3/8"		38,5	65.12.06	1107540
13.2	Boulon conique CC					1 3/4"		43,0	65.12.08	1107542

INFO PRODUIT

K68/22-24 – EK68/22-24 pièces détachées

Pos.	Désignation	Série	d	M	TK ¹⁾	Données techniques	D	L	N° du plan	Référence
			[mm]	[daNm]	[mm]		[mm]	[mm]		
14-16										
Pos.	Désignation					Données techniques	D	L	N° du plan	Référence
							[mm]	[mm]		
14.1	Pontet					1 3/8"	50		16.20.51	1332178*
14.2	Boulon hexagonal					M12x85			60.06.11	1020471*
14.3	Ecrou hexagonal, indesserrable					M12			60.53.03	1010490*
15.1	Pontet					1 3/4"	59		16.20.99	1186397*
15.2	Boulon hexagonal					M16x110			60.09.11	1304065*
16.1	Pontet					1 3/4"	80		16.20.249	1603918*
16.2	Boulon hexagonal					M16x130				1609212*
16.3	Ecrou hexagonal, indesserrable					M16			60.57.02	1304011*

1) TK = Diamètre des perçages

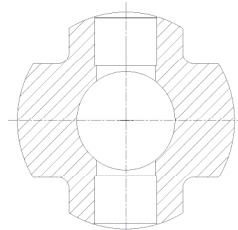
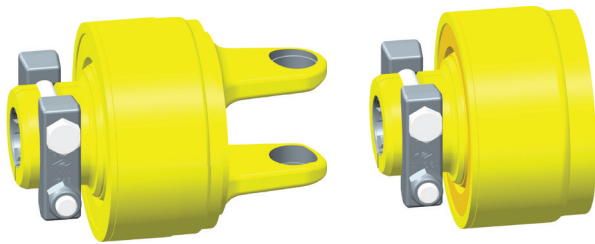
KB = Serrage à pontet

CC = Boulon conique

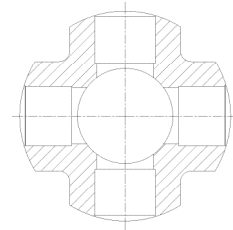
* Commandez 2 morceaux par article !

INFO PRODUIT

Limiteurs débrayables à cames K68 / EK68
avec 1 3/4" profils et serrage à pontet "KB"

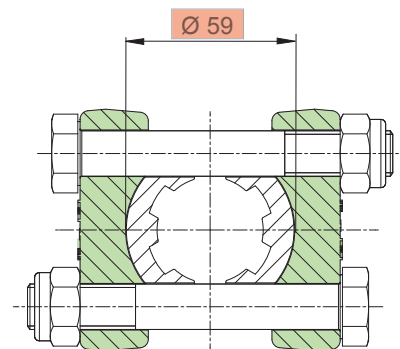
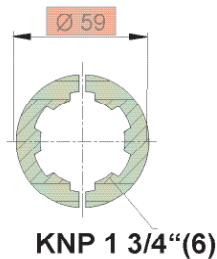
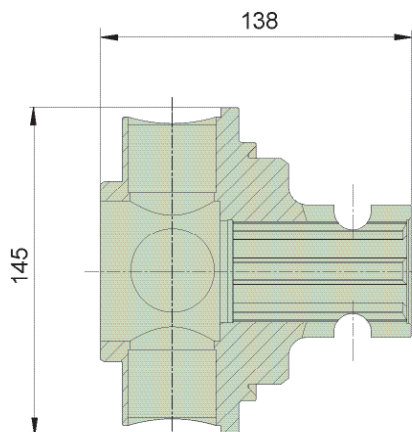


Moyeu K68/22



Moyeu

Ancienne version jusqu'en décembre 2016



Moyeu K68/22 -1 3/4"(6) (1159810 / 59.29.06)

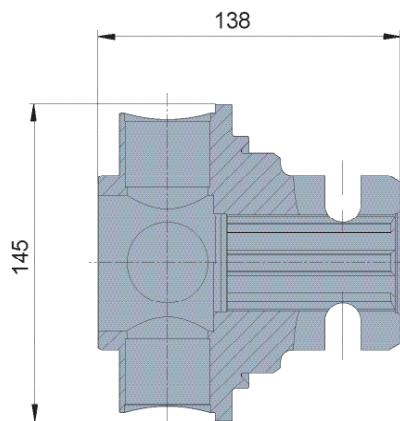
Moyeu K68/24 -1 3/4"(6) (1602642 / 59.29.09)



INFO PRODUIT

Limiteurs débrayables à cames K68 / EK68
avec 1 3/4" profils et serrage à pontet "KB"

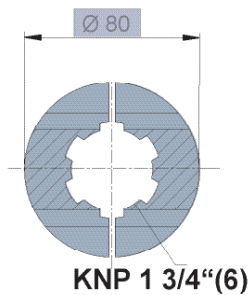
Nouvelle version mise à jour de janvier 2017



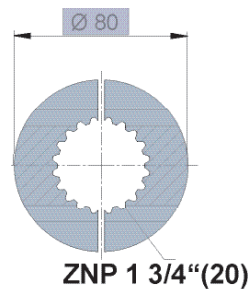
Moyeu K68/22-1 3/4"(6)
(1609216 / 59.29.10)

Moyeu K68/24 -1 3/4"(6)
(1603356 / 59.29.11)

Moyeu K68/24 -1 3/4"(20)
(1604123 / 59.29.12)



KNP 1 3/4"(6)



ZNP 1 3/4"(20)

